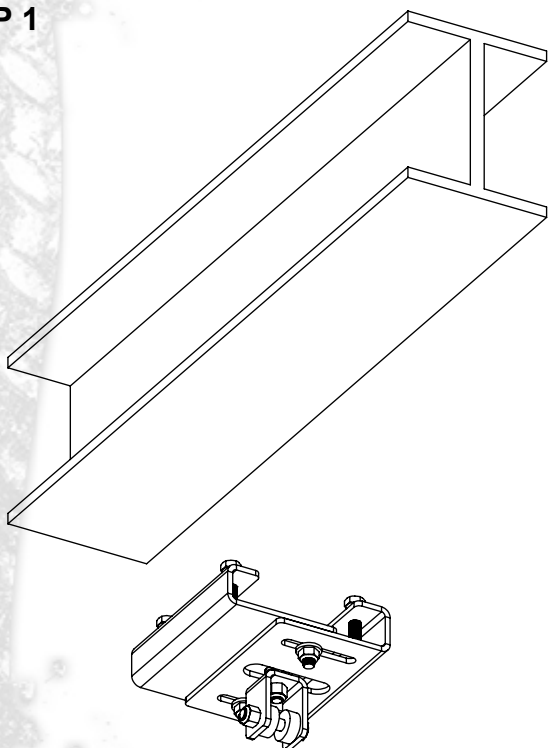




INSTALLATION

I-BEAM MOUNTS IB-1100 - IB-2100 - IB-3100

STEP 1



WITH THE (4) TOP BOLTS LOOSE
AND THE (2) BOTOM SIDE NUTS LOOSE

PLACE THE I-BEAM MOUNT AROUND
THE LOWER FLANGE OF YOUR I-BEAM.

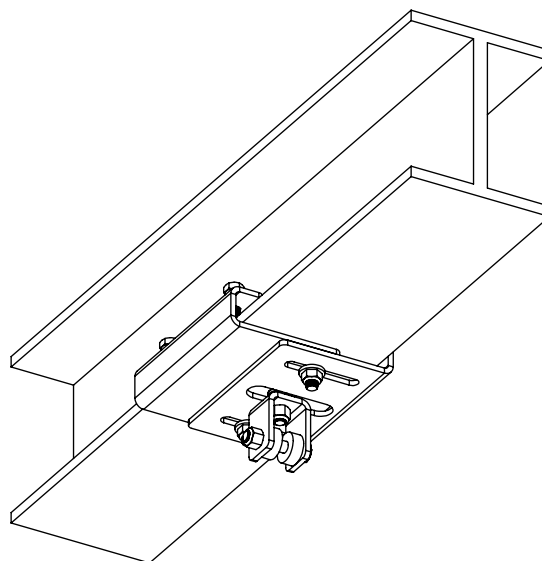
CLOSE THE MOUNTON THE BEAM

NOTE: IF YOUR I-BEAM MOUNT DOES NOT OPEN
FAR ENOUGH TO FIT OVER THE BEAM.

REMOVE ALL 3 LOWER NUTS AND
DISASSEMBLE THE I-BEAM MOUNT

RE-ASSEMBLE ON THE I-BEAM

STEP 2



BEGIN TO TIGHTEN THE BOTTOM (2) NUTS
AND THE UPPER (4) BOLTS UNTIL ALL ARE
JUST SNUG.

TIGHT THE LOWER (2) NUTS TURNING EACH
A LITTLE AT A TIME

TIGHTEN THE UPPER (4) BOLTS TUNING EACH
A LITTLE AT A TIME.

MAKE SURE ALL NUTS AND BOLTS ARE GOOD AND TIGHT.

INSPECT EVERY FEW MONTHS TO ENSURE
EVERYTHING REMAINS TIGHT.

PLEASE CONTACT:

INFO@PROMOUNTINGS.COM

WITH ANY QUESTIONS



PROMOUNTINGS.COM