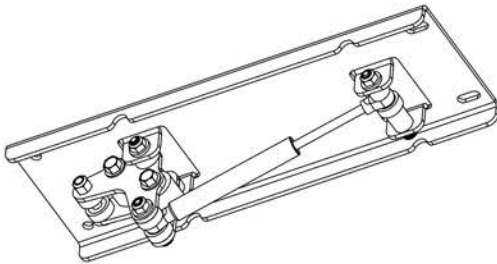




INSTALLATION

STEP 1 POSITION THE PROMOUNTINGS CEILING MOUNT WHERE YOU WOULD LIKE TO LOCATE IT AND MARK THE (4) CORNER MOUNTING HOLES ON THE CONCRETE.



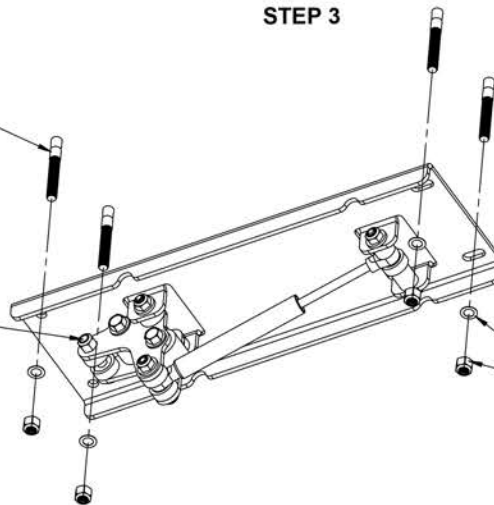
STEP 2

USING A 3/8" MASONRY DRILL BIT, DRILL (4) HOLES ON THE MARKS 2" DEEP.
USING A HAMMER LIGHTLY TAP THE PROVIDED STUD ANCHORS 2" DEEP ALLOWING THE STUD TO STICK OUT 1"

STEP 3

3" STUD ANCHORS (INCLUDED)

BAG HANGING BOLT & SPACERS



PLACE THE CEILING MOUNT IN POSITION AND TIGHTEN THE PROVIDED NUTS

REMOVE THE BAG HANGING BOLT & SPACERS AND HANG HEAVEY BAG TIGHTEN BAG HANGING BOLT & NUT

3/8-16 NUTS & WASHERS (INCLUDED)



PROMOUNTINGS.COM